

# Accu-Drawer

RFID Point-of-Use Dispensing

ToolClarity

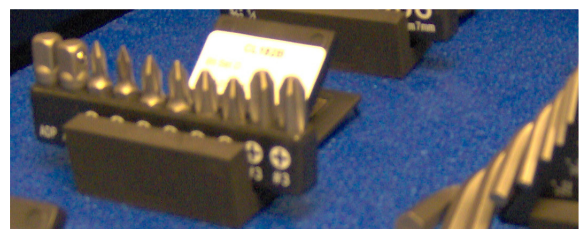
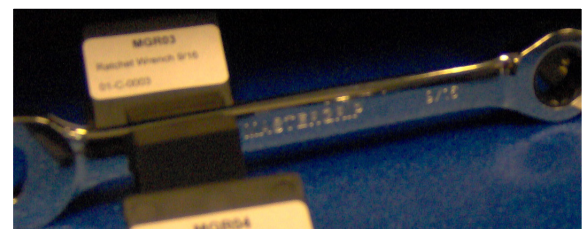
## CribMaster Accu-Drawer

Imagine your employees walk up to a cabinet that stores tooling, maintenance parts, kits or even haz-mat materials. Like all of our CribMaster point-of-use devices, the employee is required to identify himself or herself. The drawer unlocks using an electro magnetic lock and inside are the items they need to complete their task. Each item is identified with a passive Gen2 RFID tag or the location is monitored with a patent pending RFID switch. When the item is removed, inventory is automatically adjusted and monitored through CribMaster.

The Accu-Drawer is a great solution for managing kits at point-of-use, tracking the usage of durable items, or tracking maintenance items to work orders and tasks and monitoring of inventory in FOD critical areas. There is no inventory to scan or transactions to log. Transactions are automatically recorded when inventory is removed from the cabinet and when items are missing from the cabinet the touch screen displays "items out" on the ATR screen, making FOD checks easy, fast and accurate.

*The CribMaster Accu-Drawer brings many functions, features and benefits to your operation:*

- Simple "plug and play" self contained RFID device (COTS)
- Touch screen control allows for User ID log in
- Configurable drawer sizes allow for multiple product sizes
- Total kit tracking and replenishment process tracking
- Lot number and expiration date tracking and notification
- Durable 100% made in the USA 16 gauge steel construction
- Direct e-mail or EDI communication with suppliers
- 170+ standard CribMaster reports with scheduling
- Custom report configurable with Crystal Reports
- Complete work order system and ability to track inventory to work orders
- Item reservation and predictive ordering
- Reduced mis-use of inventory
- Improved inventory accuracy and FOD processes



**Microsoft**  
GOLD CERTIFIED  
Partner

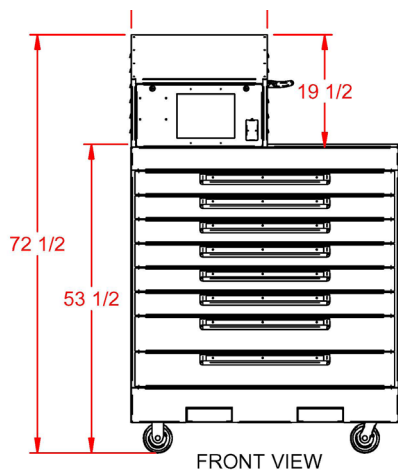
ISV Software Solutions

# Accu-Drawer

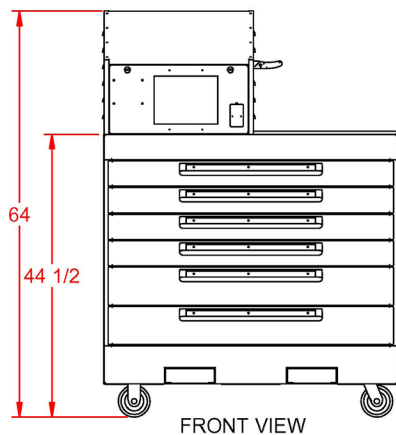
RFID Point-of-Use Dispensing

ToolClarity

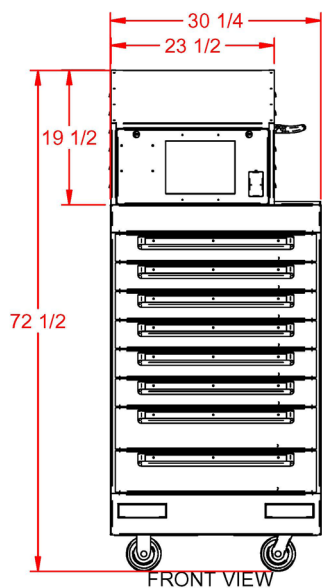
## Available Sizes



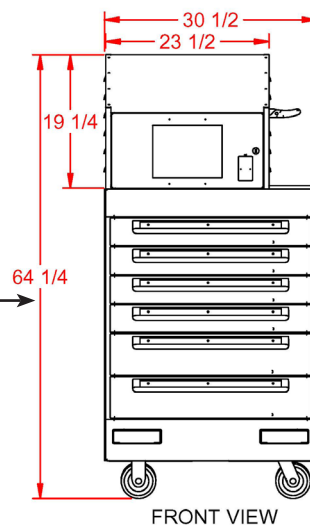
**The Original Accu-Drawer**  
8 Drawers  
72.5" Tall x 46.25" Wide x 28.5" Deep



**The Accu-Drawer Mini**  
6 Drawers  
64" Tall x 46.25" Wide x 28.5" Deep



**The Accu-Drawer Mobile**  
8 Drawers  
72.5" Tall x 30.25" Wide x 28.5" Deep



**The Accu-Drawer Mini Mobile**  
6 Drawers  
64.25" Tall x 30.5" Wide x 28.5" Deep

### Included Accessories

#### 8 Drawer Units (Original & Mobile)

RFID Tags on Switches	200
Foam Screws	500
Blue Foam Strips .5 x .75 x 48	30
Blue Foam Strips .75 x .75 x 48	12

#### 6 Drawer Units (Mini & Mobile Mini)

RFID Tags on Switches	150
Foam Screws	400
Blue Foam Strips .5 x .75 x 48	25
Blue Foam Strips .75 x .75 x 48	10

